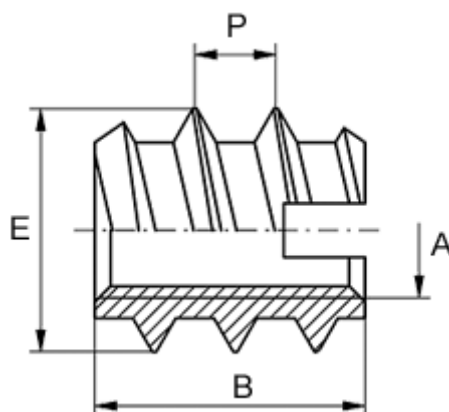


Article number: 12309000060100  
Description: KLEE-coil 309 000 060.100  
M6 Unhardened steel

## Measures

---



Female thread A	= M6
Length B	= 14
Male thread E	= 10.0
Min hole depth	= 17
Recommended bore diameter (plastic/hard wood)	= 7.7 to 7.9
Recommended bore diameter, soft wood (largest)	= 8.0
Thread pitch P	= 4.0